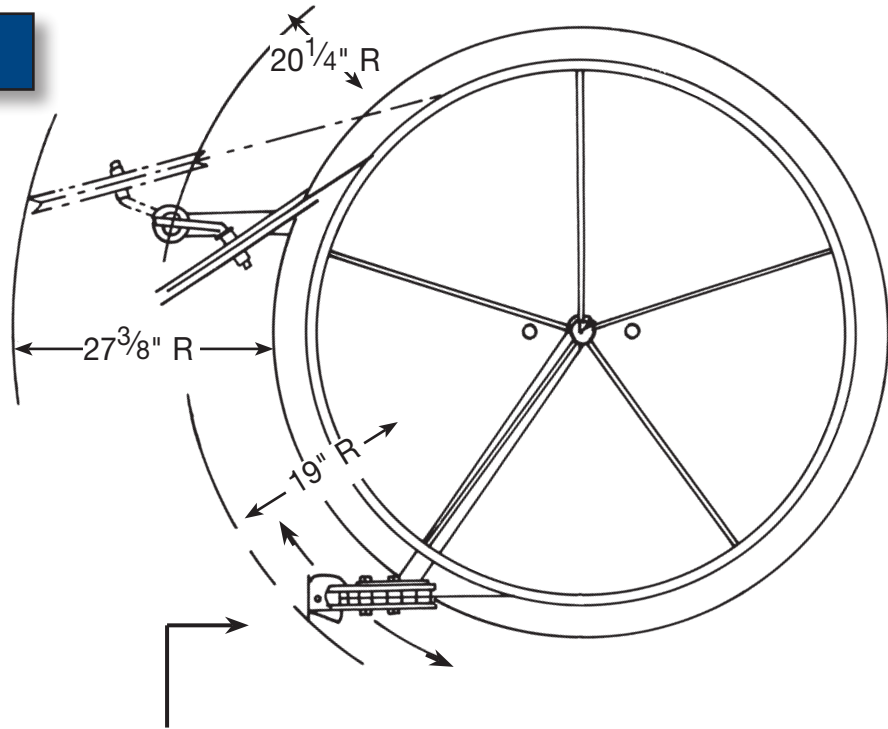


# WD10 SCHEMATIC

Shown with Optional Accessories

## TOP VIEW



Brake release arm is capable of rotating up to  $360^\circ$  depending on feed rate.

(Brake release arm is infinitely adjustable.)

## SIDE VIEW

